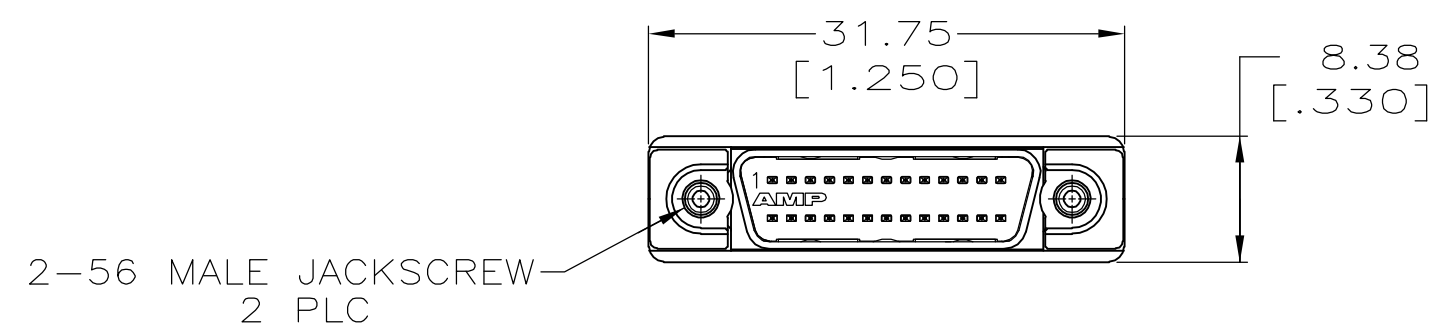
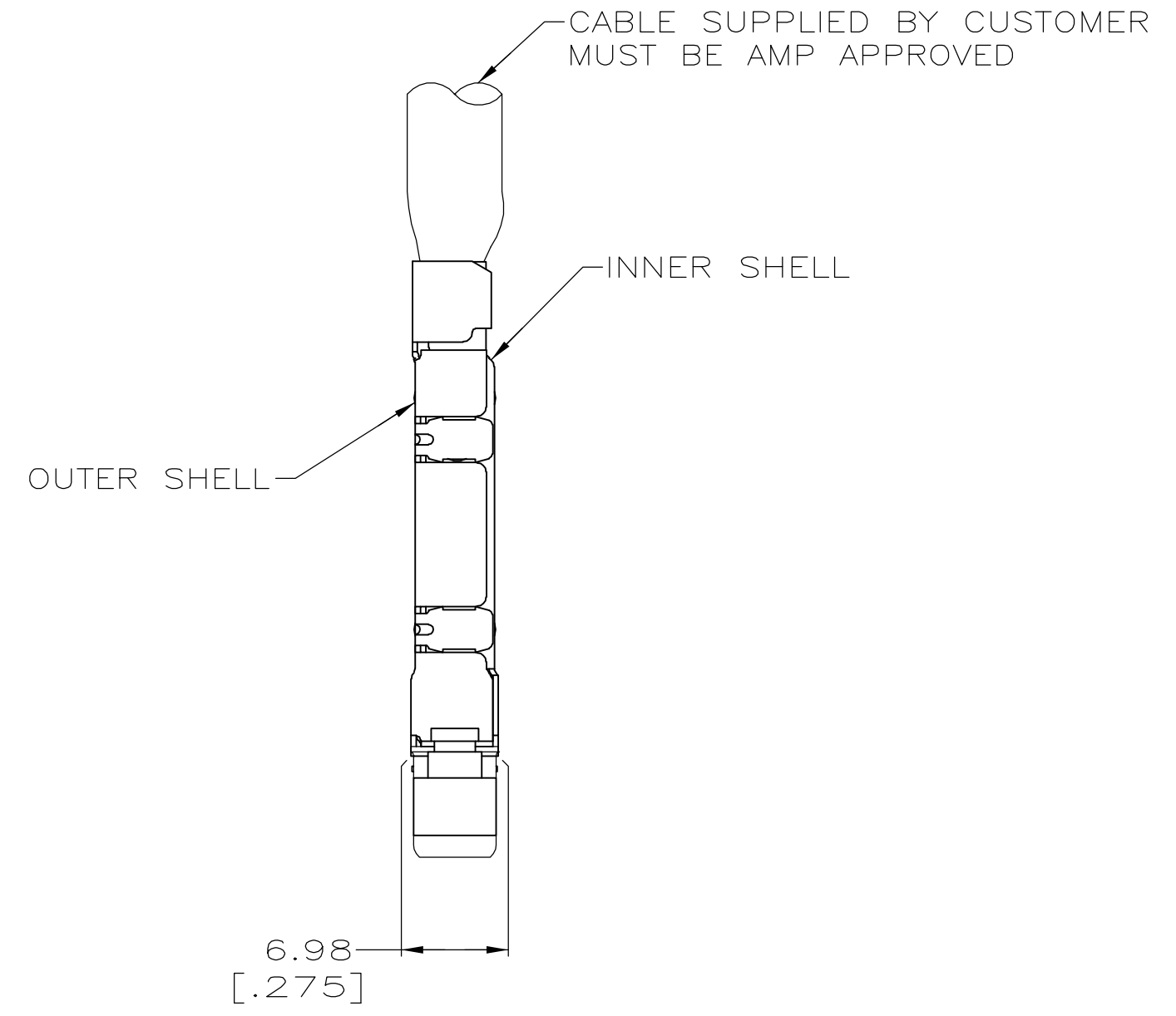
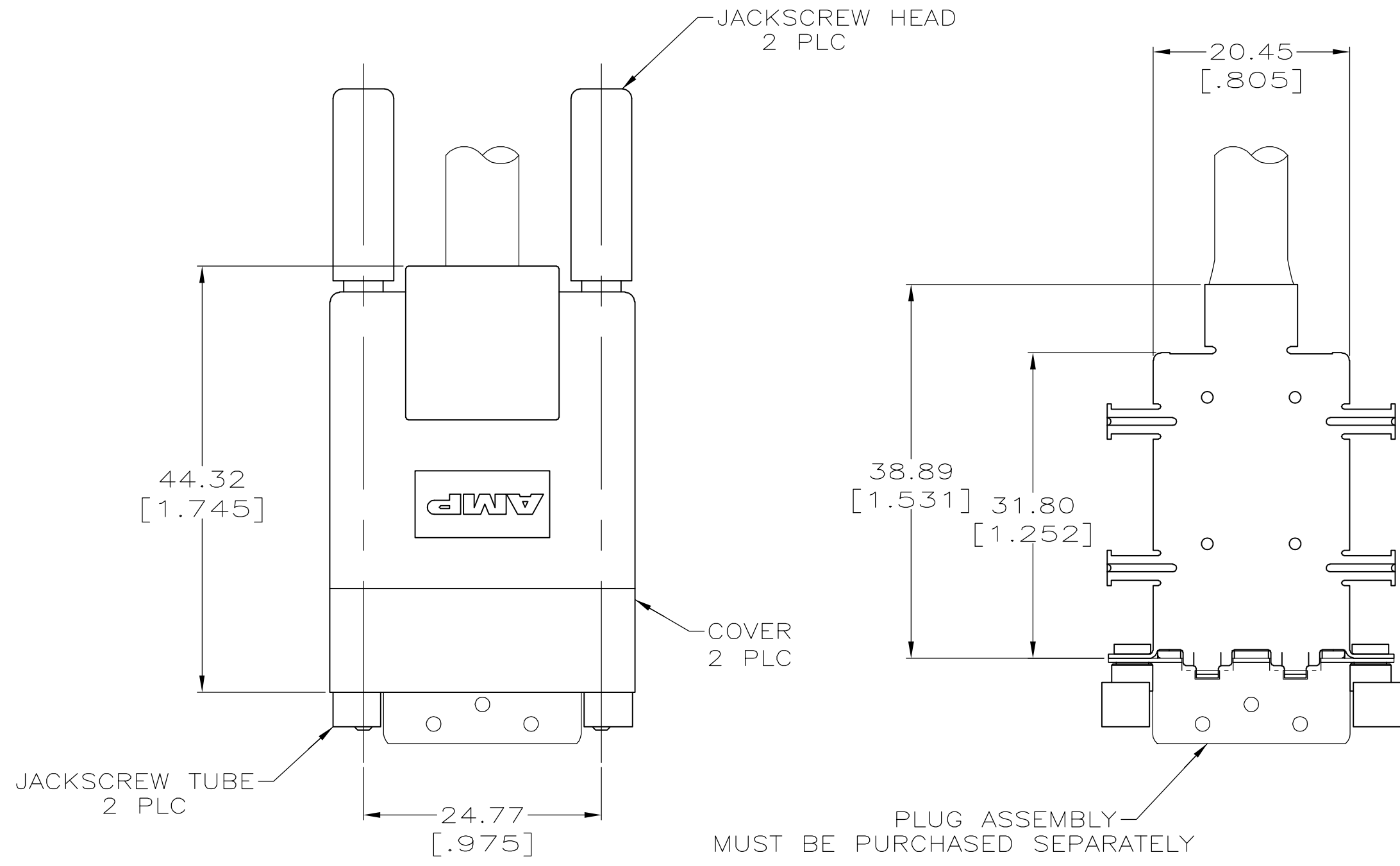


THIS DRAWING IS UNPUBLISHED. RELEASED FOR PUBLICATION  
 © COPYRIGHT BY TYCO ELECTRONICS CORPORATION. ALL RIGHTS RESERVED.

LOC	DIST	REVISIONS			
P	LTR	DESCRIPTION	DATE	DWN	APVD
GP	00	H1	REVISED PER ECO-05-009847	10FEB06	BM SS



- ① COMPONENTS PACKAGED AS A UNIT KIT.
- ② COMPONENTS INDIVIDUALLY BULK PACKED AND COMBINED IN ONE SHIPPING CONTAINER.
- ③ UL 94V-0 RATED, ABS MOLDING COMPOUND, COLOR: SEE TABLE.
- ④ TIN PLATING PER MIL-T-10727, COPPER PER MIL-C-14550.
- ⑤ ZINC PLATE PER ASTM B633, TYPE III, CLASS SC1, CLEAR CHROMATE.
- ⑥ 5.08µm [.000200] MIN TIN OVER 5.08µm [.000200] MIN COPPER.
- ⑦ OBSOLETE PART NUMBER.

7.11-7.87 [.280-.310]	②	BLACK	⑦	750850-8
6.35-7.11 [.250-.280]	②	BLACK	⑦	750850-7
7.11-7.87 [.280-.310]	②	BLACK	⑦	750850-6
6.35-7.11 [.250-.280]	②	BLACK	⑦	750850-5
7.11-7.87 [.280-.310]	②	GRAY	⑦	750850-4
6.35-7.11 [.250-.280]	②	GRAY	⑦	750850-3
7.11-7.87 [.280-.310]	②	GRAY	⑦	750850-2
6.35-7.11 [.250-.280]	②	GRAY	⑦	750850-1
CABLE DIAMETER	PACKAGING	COLOR	PART NUMBER	

THIS DRAWING IS A CONTROLLED DOCUMENT.		DWN M.MCCAFFREY 01/06/92	tyco Electronics		Tyco Electronics Corporation Harrisburg, PA 17105-3608	
DIMENSIONS: INCHES		CHK R.FRANTZ 01/06/92	NAME BACKSHELL KIT, 26 POSITION, PLUG, UNKEYED, SLIMLINE, AMPLIMITE .050 SERIES			
TOLERANCES UNLESS OTHERWISE SPECIFIED:		APVD -	PRODUCT SPEC 108-1366			
0 PLC ± -		APPLICATION SPEC 114-40036		SIZE A2	CAGE CODE 00779	DRAWING NO C=750850
1 PLC ± -		WEIGHT -		RESTRICTED TO -		
2 PLC ± 0.38 [.015]		CUSTOMER DRAWING				
3 PLC ± -		SCALE 2:1		SHEET 1 of 1		
4 PLC ± -		REV H1				
ANGLES ± -						
FINISH						